

**SPECIFICATIONS:**

- FREQUENCY: . . . . . 0.5 GHz TO 18 GHz
- INSERTION LOSS: . . . . . REFLECTIVE: 3.0db  
ABSORPTIVE: 3.75db
- ISOLATION: . . . . . 0.5 GHz TO 2 GHz: 60db  
2 GHz TO 18 GHz: 70db
- VSWR: . . . . . REFLECTIVE IN/OUT: 2.0:1  
ABSORPTIVE IN/OUT: 2.0:1  
ABSORPTIVE OUT/OFF: 2.0:1
- SPEED: . . . . . RISE: 10ns TYPICAL, 15ns MAX.  
FALL: 10ns TYPICAL, 15ns MAX.  
DELAY ON: 75ns TYPICAL, 100ns MAX.  
DELAY OFF: 75ns TYPICAL, 100ns MAX.
- POWER INPUT: . . . . . (CW)+20dBm (STANDARD), +10 dBm (HIGH SPEED)
- SURVIVAL POWER: . . . . . 1 WATT CW, 10 WATTS PEAK 1 usec
- CONTROL: . . . . . TTL LOGIC "0"=ON "1"=OFF
- POWER SUPPLY: . . . . . +5V @ 200 mA MAX.  
-5V @ 75mA MAX.(REFLECTIVE)  
100mA MAX.(ABSORPTIVE/NON-REFLECTIVE)

**OPTIONS:**

- INDEPENDENT CONTROL WITH SOLDER PIN STANDARD
- DEC-SP . . . . . 2 BIT DECODER WITH SOLDER PIN
- 10M18 . . . . . 10 MHz TO 18 GHz (INSERTION LOSS INCREASES BY 1.5db AT 10 MHz AND 0.5db AT 18 GHz)
- 100M18 . . . . . 100 MHz TO 18 GHz (INSERTION LOSS INCREASES BY 1.5db AT 100 MHz AND 0.5db AT 18 GHz)
- 118 . . . . . 1 GHz TO 18 GHz (NO CHANGE IN INSERTION LOSS)
- 218 . . . . . 2 GHz TO 18 GHz (NO CHANGE IN INSERTION LOSS)
- 412 . . . . . 4 GHz TO 12.4 GHz (NO CHANGE IN INSERTION LOSS)
- 618 . . . . . 6 GHz TO 18 GHz (NO CHANGE IN INSERTION LOSS)
- 1218 . . . . . 12 GHz TO 18 GHz (NO CHANGE IN INSERTION LOSS)
- 100M20 . . . . . 100 MHz TO 20 GHz (INSERTION LOSS INCREASES BY 1.5db AT 100 MHz AND 1.0db AT 20 GHz)
- 220 . . . . . 2 GHz TO 20 GHz (INSERTION LOSS INCREASES BY 1.0db AT 20 GHz)
- 1020 . . . . . 10 GHz TO 20 GHz (INSERTION LOSS INCREASES BY 1.0db AT 20 GHz)
- B01 . . . . . -12V POWER SUPPLIES
- B02 . . . . . -15V POWER SUPPLIES
- B03 . . . . . REVERSE LOGIC "1"=ON "0"=OFF
- B04 . . . . . DRIVERLESS, CURRENT CONTROLLED
- B05 . . . . . HIGH SPEED, TURNON/TURNOFF 25 nsec MAXIMUM WHEN APPLICABLE
- B06 . . . . . HIGH POWER - SPECIFY CW POWER, PEAK POWER, PULSE WIDTH, DUTY CYCLE, RF FREQUENCY AND BANDWIDTH
- B07 . . . . . CUSTOM DESIGNED PRODUCT- SPECIFY INITIALS OF CUSTOMER
- B08 . . . . . LOW VIDEO TRANSIENTS - SPECIFY VIDEO BANDWIDTH
- B09 . . . . . LOW INSERTION LOSS VERSION
- B10 . . . . . HIGHER ISOLATION VERSION
- PM5 . . . . . PHASE MATCHED ±5° PORT TO PORT

**ENVIRONMENTAL RATINGS:**

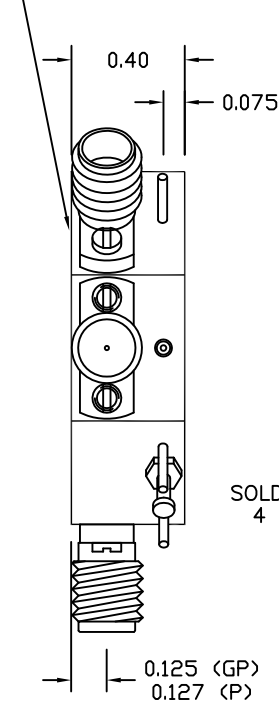
- TEMPERATURE: . . . . . -55°C TO +85°C (OPERATING)  
-65°C TO +125°C (STORAGE)
- HUMIDITY: . . . . . MIL-STD-202F, METHOD 103B COND. B
- SHOCK: . . . . . MIL-STD-202F, METHOD 213B COND. B
- VIBRATION: . . . . . MIL-STD-202F, METHOD 204D COND. B
- ALTITUDE: . . . . . MIL-STD-202F, METHOD 105C COND. B
- TEMPERATURE CYCLE: . . . . . MIL-STD-202F, METHOD 107D COND. A

NOTE: THE ABOVE SPECIFICATIONS ARE SUBJECT TO CHANGE OR REVISION

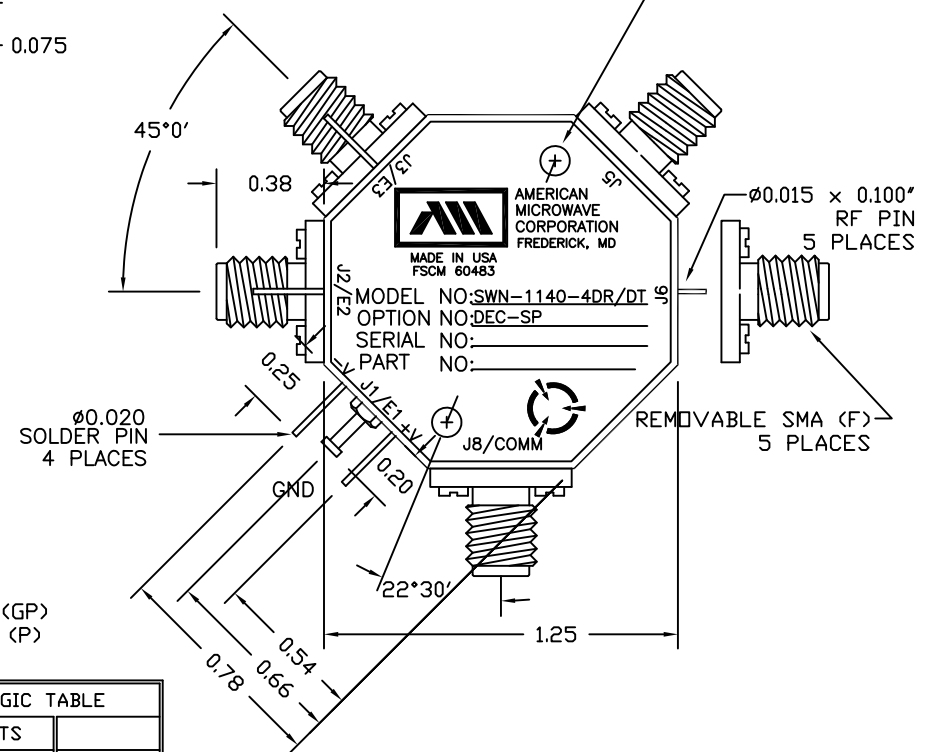
ALL DIMENSIONS ARE IN INCHES

TOLERANCES:  
X.XX ±0.020  
X.XXX ±0.010

MOUNTING SURFACE  
GP=GOLD PLATED  
P=PAINTED



Ø0.089 THRU W/4-40 THD  
0.250 DEEP ON MOUNTING SURFACE  
LOCATED ON 1.00" CIRCLE, 2 PLACES



INPUTS			
E1	E2		PORT ON
L	L		J2
H	L		J3
L	H		J5
H	H		J6

NOTE:  
DR=WITH DRIVER, REFLECTIVE  
DT=WITH DRIVER, NON-REFLECTIVE/ABSORPTIVE

REVISIONS				
ZONE	REV.	DESCRIPTION	DATE	APPROVED
	A	ORIGINAL RELEASE	8/12/97	

CONTRACT NO.		AMERICAN MICROWAVE CORPORATION FREDERICK, MARYLAND		
APPROVALS	DATE	TITLE		
DRAWN <i>WJP</i>	8/12/97	OUTLINE DRAWING SWN-1140-4DR/DT-DEC-SP REFLECTIVE OR NON-REFLECTIVE/ABSORPTIVE RADIAL SOLID STATE SWITCH		
CHECKED		SIZE	FSCM NO.	DWG NO.
ISSUED		A	60483	100-4163-2
		SCALE	N/S	SHEET 1 of 1